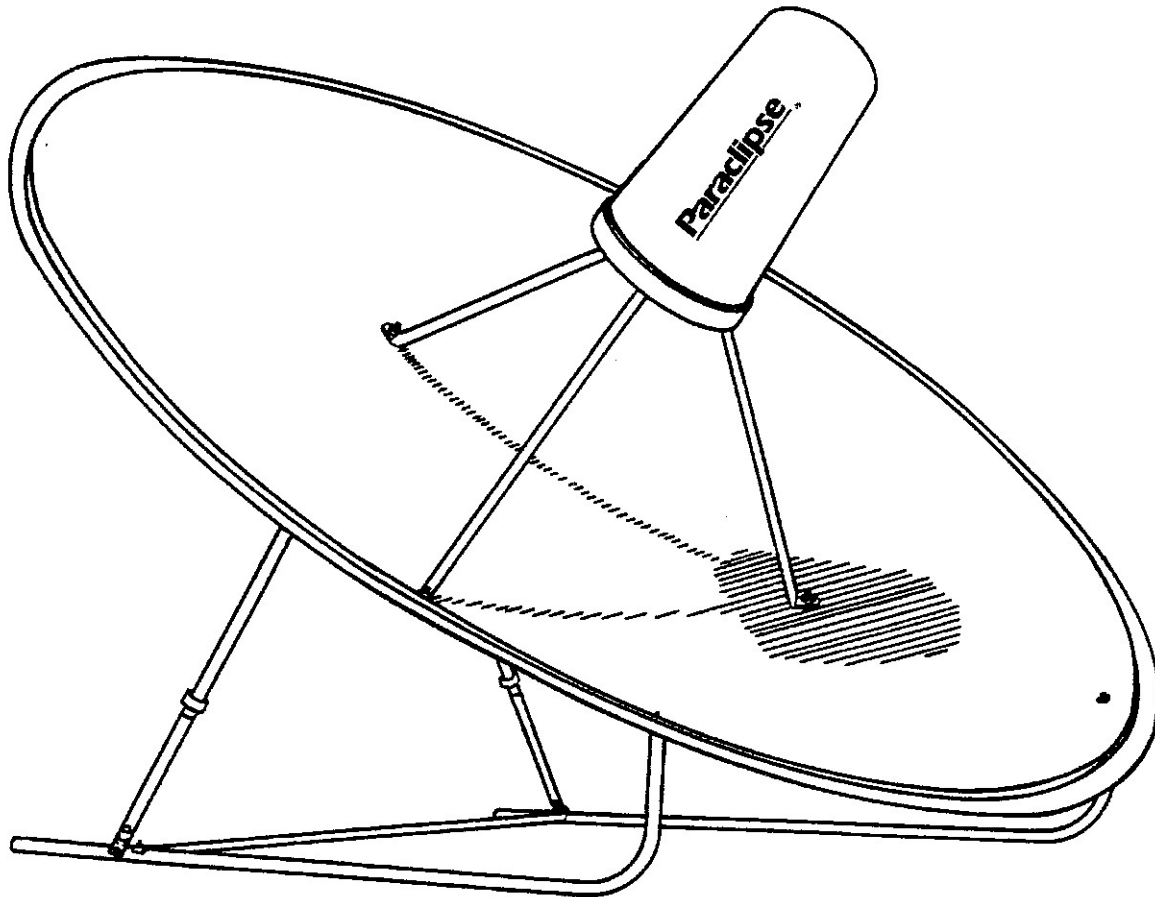


Paraclipse[®]

HIGH PERFORMANCE ANTENNAS

Your Complete Reflector Source



Paraclipse[®]

PATIO MOUNT

**INSTALLATION &
ASSEMBLY INSTRUCTIONS**

2271 29th Avenue East
Columbus, NE 68601
Tel: 402-563-3625
FAX: 402-564-2109

FILL OUT WARRANTY CARD PROVIDED AND RETURN TO PARACLIPSE TO SECURE VALUABLE EXTENDED WARRANTY RIGHTS.

FIG. 1
(View shown from back of reflector)

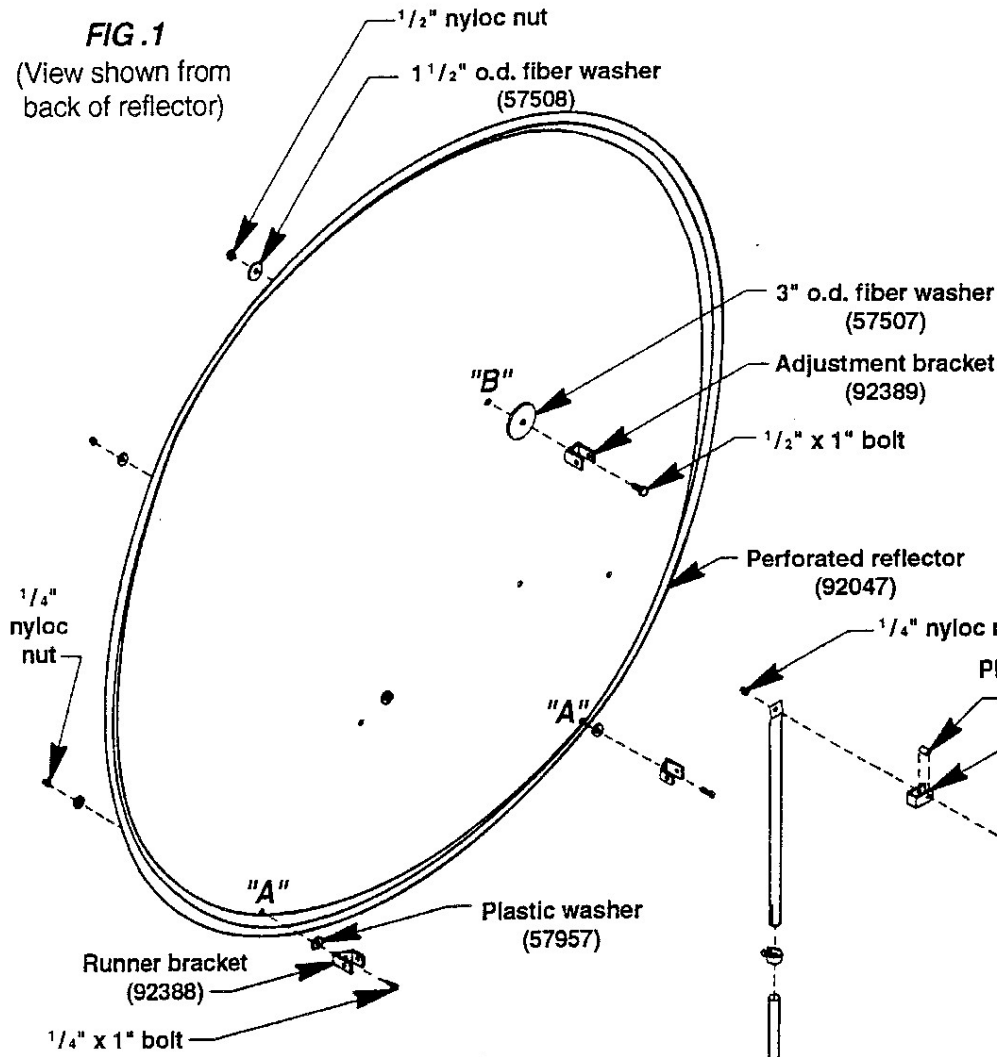
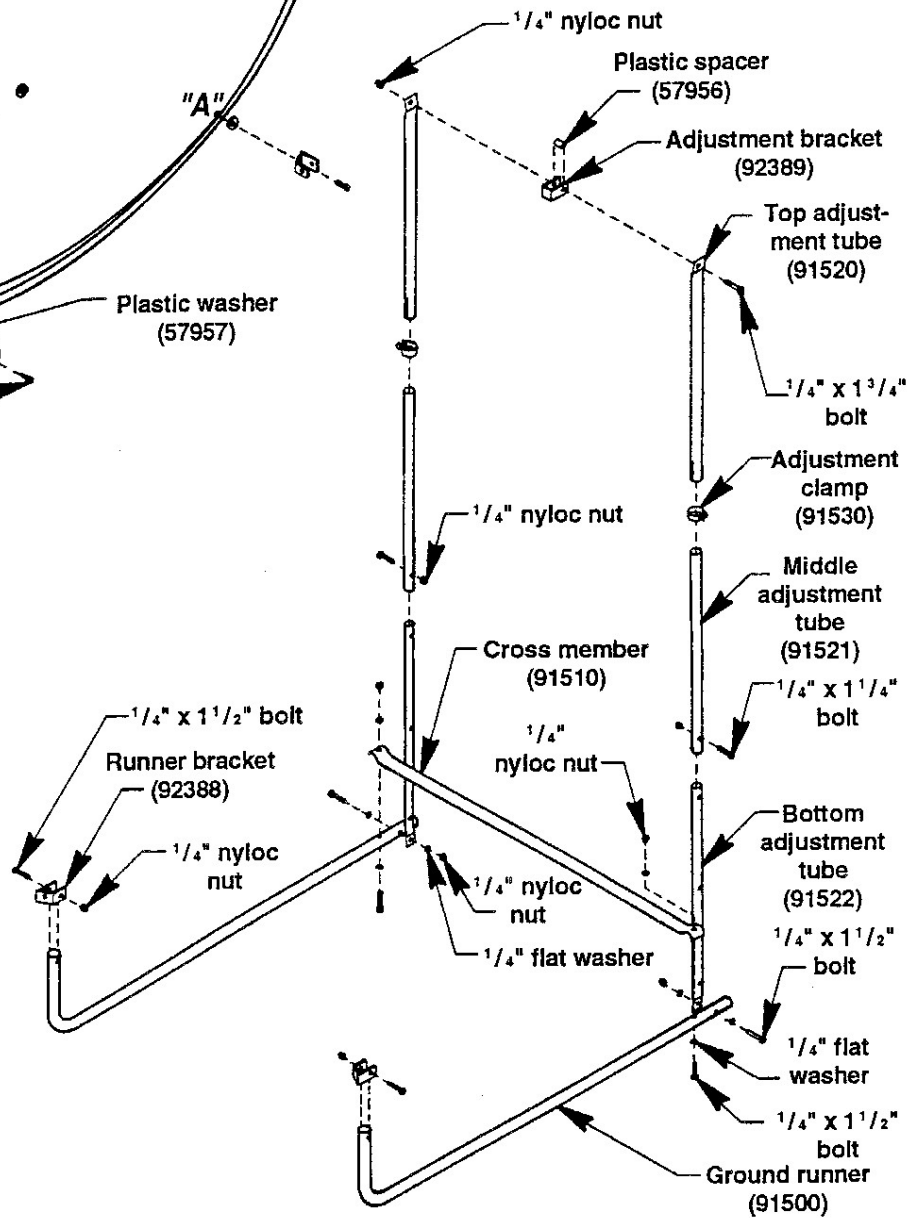


FIG. 2



MOUNT ASSEMBLY

1. Attach runner brackets to the pre-drilled outer holes of the reflector. (See item "A".) (Make sure short leg of runner bracket faces toward the short leg of the other runner bracket.) Attach each runner bracket with one $\frac{1}{4}$ " x 1" bolt, two plastic washers, and one $\frac{1}{4}$ " nyloc nut. Do not tighten. (See Fig. 1)

2. Attach the adjustment bracket to the hole directly opposite to the two runner brackets. (See item "B".) (Make sure open side of adjustment bracket faces the runner brackets). Attach with one $\frac{1}{2}$ " x 1" bolt, one 3" o.d. fiber washer, one 1 $\frac{1}{2}$ " o.d. fiber washer, and one $\frac{1}{2}$ " nyloc nut. Do not tighten. (Bolt must be installed as per Fig. 1.)

3. Attach short leg of ground runners to runner brackets. (Make sure long leg of ground runners extend toward the back of the reflector.) Attach each ground runner using one $\frac{1}{4}$ " x 1 $\frac{1}{2}$ " bolt, and one $\frac{1}{4}$ " nyloc nut. Do not tighten. (See Fig. 2)

4. Attach cross member to ends of long leg of ground runners using on each end one $\frac{1}{4}$ " x 1 $\frac{1}{2}$ " bolt, two $\frac{1}{4}$ " flat washers, and one $\frac{1}{4}$ " nyloc nut. Do not tighten. (See Fig. 2)

5. Slide both bottom adjustment tubes in the middle adjustment tubes until the hole in the middle adjustment tube is lined up with one of the three holes in the bottom adjustment tube. (In the U.S.A., consult insert as to which one of the three holes to use.) Attach each bottom adjustment tube using one $\frac{1}{4}$ " x 1 $\frac{1}{4}$ " bolt and one $\frac{1}{4}$ " nyloc nut. Do not tighten. (See Fig. 2)

6. Attach adjustment tubes to adjustment bracket using one $\frac{1}{4}$ " x 1 $\frac{3}{4}$ " bolt, one plastic spacer, and one $\frac{1}{4}$ " nyloc nut. Do not tighten. (Make sure adjustment tubes point out.) (See Fig. 2)

7. Attach adjustment tubes to ground runners using one $\frac{1}{4}$ " x 1 $\frac{1}{2}$ " bolt, two $\frac{1}{4}$ " flat washers, and one $\frac{1}{4}$ " nyloc nut. Do not tighten. (See Fig. 2)

8. Slide both middle adjustment tubes in the top adjustment tubes until the dish is at the desired elevation adjustment. Tighten adjustment clamp on top adjustment tube where the top adjustment tube contacts the middle adjustment tube. (See Fig. 2)

FEED SUPPORT POLE ASSEMBLY

1. Attach feed support poles to reflector using one $\frac{1}{2}$ " x 1 $\frac{1}{2}$ " bolt, one 3" o.d. fiber washer, one 1 $\frac{1}{2}$ " o.d. fiber washer and one $\frac{1}{2}$ " nyloc nut on each feed support pole. (NOTE: One set of bolt, fiber washers and nut already in place.) (See Fig. 3)

2. Using one $\frac{1}{4}$ " x 1 $\frac{1}{2}$ " bolt and one $\frac{1}{4}$ " nut, connect all three feed support poles as shown. This will correctly position the feed support poles for feed centering. (See Fig. 4 on next page.)

3. Tighten all hardware.

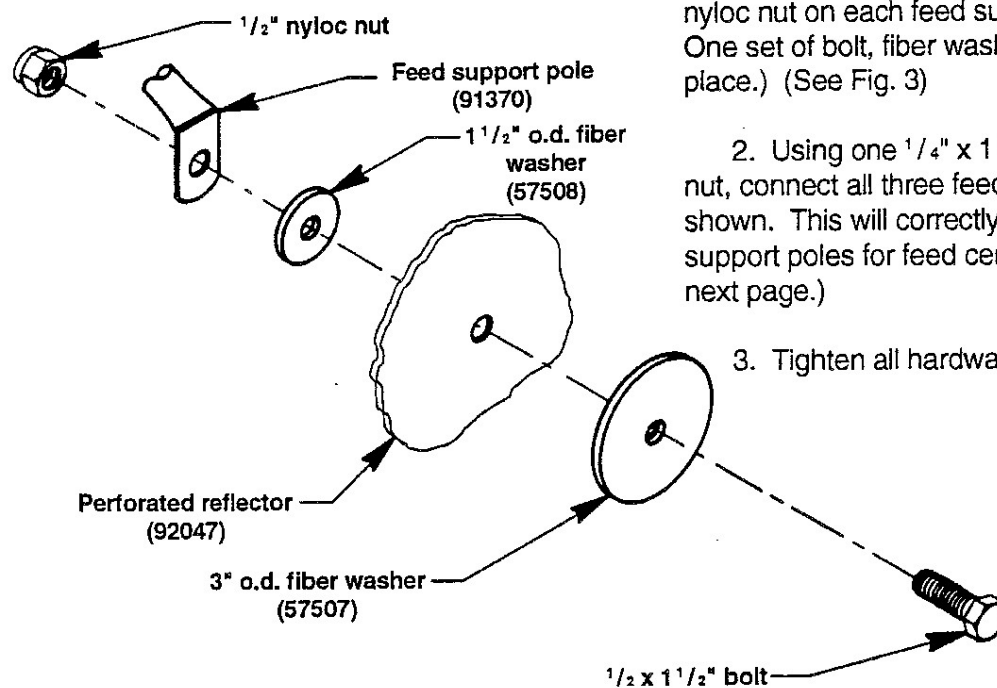
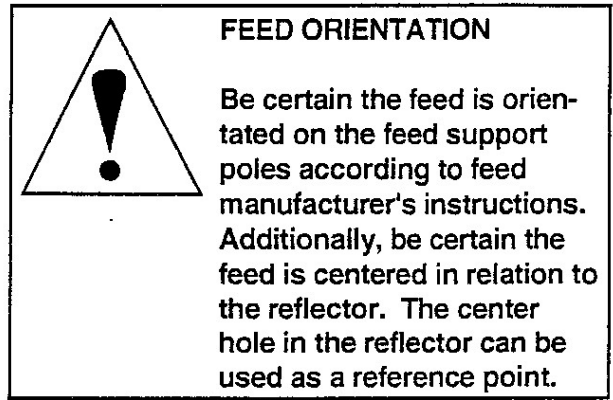
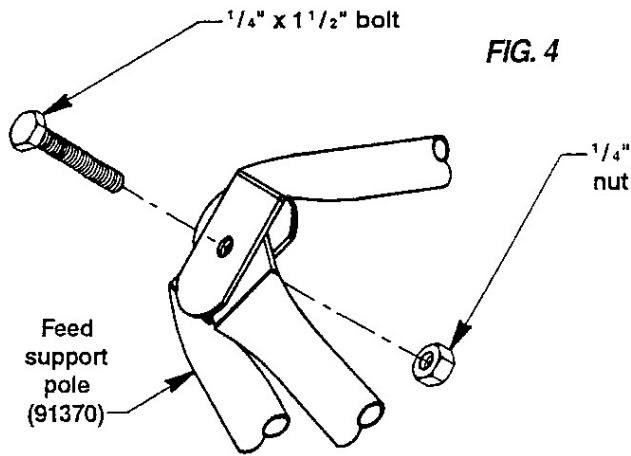


FIG. 3

FEED AND FEED COVER ASSEMBLY



1. Attach LNB(s) to feed as per manufacturer's instructions and preset to Hydro specifications (F/D .34).

2. The LNB wires should be secured to a feed support pole and run through the hole with the rubber grommet on the reflector.

3. Remove the $1/4" \times 1 1/2"$ bolt and $1/4"$ nut that attached the three feed support poles together during installation.

4. Attach the feed and the Hydro feed cover donut to the feed support poles using three $1/4" \times 1 1/2"$ bolts, six $1/4"$ flat washers, and six $1/4"$ nuts. (See Fig. 4)

5. Attach top of Hydro feed cover to the donut using the special cover push nuts provided.

